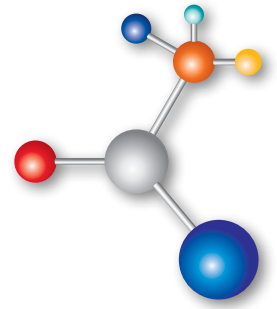


Combination Slab on Ground



Description

This range of popular reo chairs are light weight and being stackable allow for ease of handling. These dual height reinforcement spacers are designed for ground floor slabs where support for steel is required without puncturing the polymer membrane. Manufactured from selected recycled plastics for superior performance and cleaning the environment.

Supplied in coloured bags for easy size identification.

Size Availability: 25/40mm
50/65mm
75/90mm
85/100mm



Ideal for

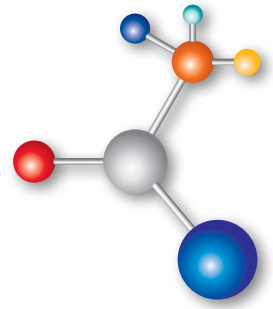
- Slab on Ground construction
- Pod Slabs
- Swimming Pools

Baseplates

The plastic sand tray provides most types of chairs with extra stability in the slab on ground construction. This product has a 200mm diameter, and locating pins to prevent movement of the chair.



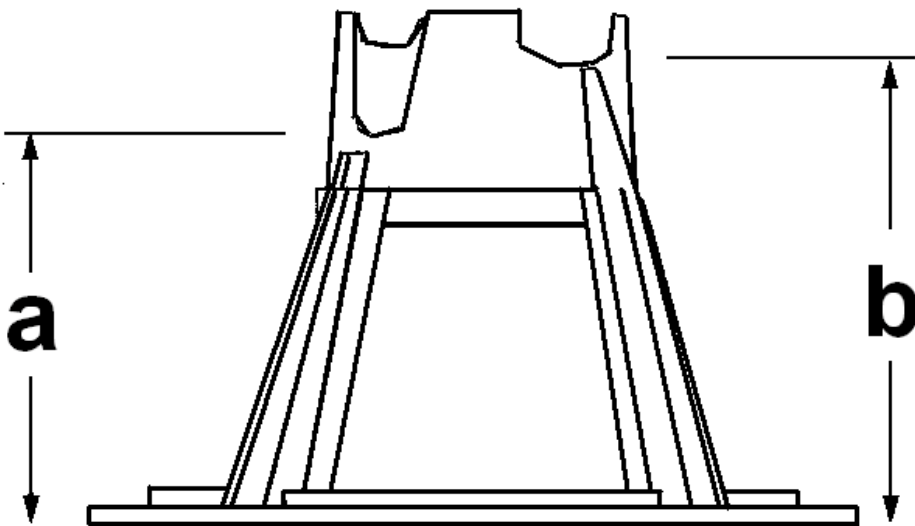
Combination Slab on Ground



DIMENSIONS

PRODUCT CODE	COVER		MASS (kg) PER BAG
	a	b	
SOG 25/40	25	40	2.0
SOG 50/65	50	65	3.2
SOG 75/90	75	90	4.2
SOG 85/100	85	100	4.4

Packed in bags of 100 pieces. Pallets of 5000
All dimensions are nominal and expressed in millimetres.



BASEPLATES

PRODUCT CODE	BAG QTY	PALLET QTY	MASS (kg) PER BAG
BSW 200	100	3000	4.6

