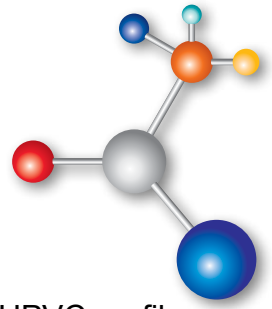
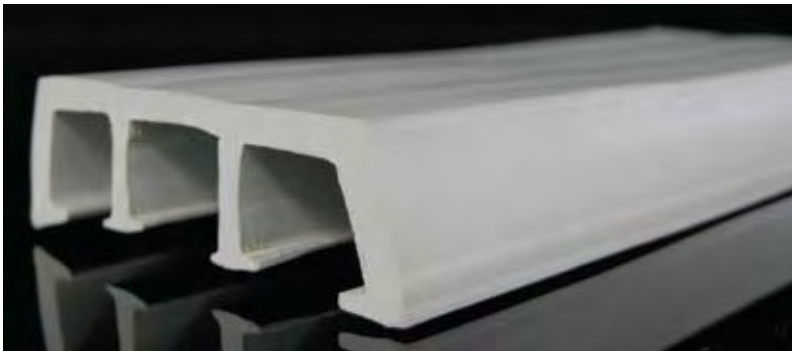


Feature Groove



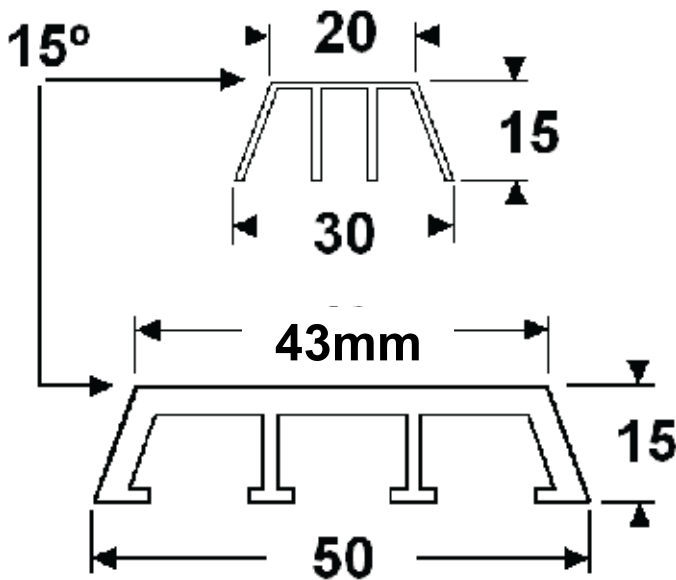
Description

Our feature groove is an extruded UPVC profile designed to provide a decorative groove in precast concrete or tilt-up wall panels.



Features include:

- Sturdy hollow design
- Impact resistant
- Smooth surface facilitates easy removal
- Re-useable
- Can be screwed or adhered to mould base surface



All dimensions are in millimetres

Order Code	Bundle Qty	Mass per Bundle Kg
FRGV 20	30m	7.5
FRGV 40	30m	12.5

3m lengths/10 lengths per bundle.