

# Heavy Duty Bar Chair



## Description

The new heavy duty clip-on range was initially designed as a replacement for concrete blocks and wire chairs in the heavy precast market, overcoming concrete compatibility, moisture retention and rust problems. It is a quick and easy to use Barchair which is versatile, strong and robust.

The new Barchair has been load tested to support 200kg (at moderate ambient temperature). Steel fixers, walking freely on the bar or mesh, have been greatly impressed with its strength and stability.

The new chairs are versatile in the range of bar sizes. They can accommodate Y12 and Y16 as a clip-on and up to Y28 in non clip-on applications.

Ensuring minimum cover requirements has never been easier

## Size Availability

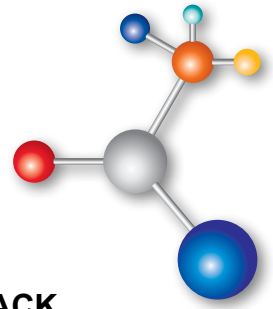
30, 35, 40, 45, 50, 60, 65, 70, 75 and 80mm cover, each with clip-ons for either Y12 or Y16 and up to Y28 as a non clip-on.

## Ideal for

- Civil heavy precast
- Suspended decks
- Bars or mesh
- Horizontal or Vertical Suspended Decks
- Precast Beams
- Strip Footings with Base
- Insitu Beams

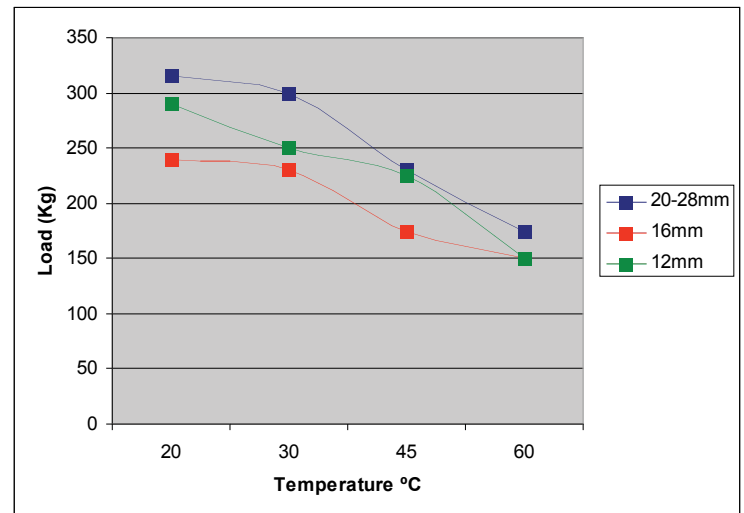
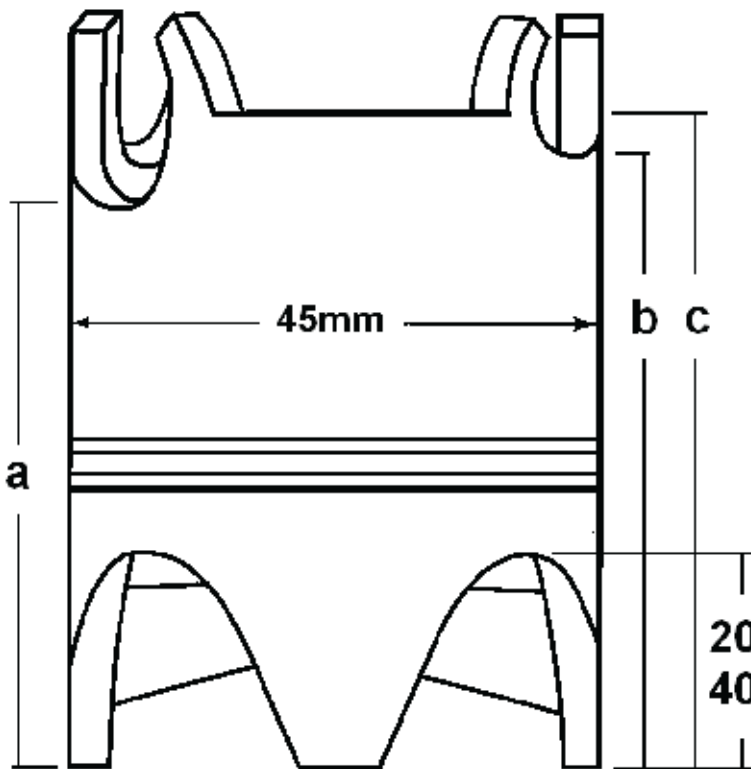


# Heavy Duty Bar Chair



## DIMENSIONS

PRODUCT CODE	CLIP-ON		NON CLIP-ON	PACK QTY
	Y16	Y12	Y20-Y28	
	a	b	c	
BHD 30/34	30	34	38	100
BHD 35/39	35	39	43	100
BHD 40/44	40	44	48	100
BHD 45/49	45	49	53	100
BHD 50/54	50	54	58	100
BHD 60/64	60	64	68	100
BHD 65/69	65	69	73	100
BHD 70/74	70	74	78	100
BHD 75/79	75	79	83	100
BHD 80/84	80	84	88	100



**20mm (30-50mm cover)**  
**40mm (60-80mm cover)**