

# Fast Clip Mesh Chair



## Description

A versatile range of fast clip-on chairs for mesh support. FCM's are available in a wide range of cover sizes from 20mm to 75mm and an addition of extensions and bases increasing cover up to 170mm. The chair is designed to clip easily to the intersection of the mesh, providing greater strength and stability.

Coloured grey to match concrete, these chairs, bases and extensions have minimal exposure making them ideal for precast manufacturers and tilt-up construction. Bases of both 15 and 25mm can be used to increase cover and stability for minimized exposure. Flat circular bases of 80mm diameter are also available for slab on ground applications.



## Size Availability

Chairs available in: 20, 25, 30, 35, 40, 50, 65 and 75mm cover

Extensions in: 25, 30, 50, 60, 65 and 70mm.

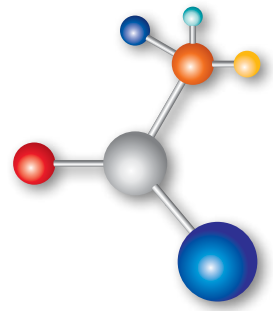
Bases in: 15, 25mm slab on ground



## Ideal for

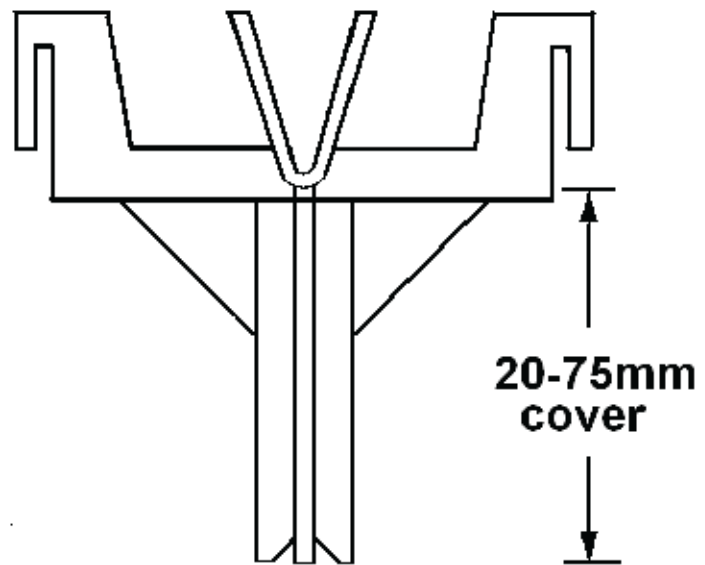
- Tilt-Up and Precast Panels
- Suspended Slabs
- Slab on Ground with bases

# Fast Clip Mesh Chair



## DIMENSIONS

PRODUCT CODE	COVER	MASS (kg) PER BAG
<b>MESH SUPPORTS</b>		
FCM20	20	0.5
FCM25	25	0.6
FCM30	30	0.6
FCM35	35	1.3
FCM40	40	1.4
FCM50	50	1.4
FCM65	65	1.6
FCM75	75	1.7
<b>EXTENSIONS</b>		
FCMX25	25	0.6
FCMX30	30	0.7
FCMX50	50	1.0
FCMX60	60	1.1
FCMX65	65	1.1
FCMX70	70	1.2
<b>BASES</b>		
FWBASE015	+15	0.9
FWBASE025	+25	1.1
<b>SLAB ON GROUND BASE</b>		
FC BASE	+2	1.3



**MESH SUPPORT**

Packed in bags of 100. Pallets of 5000.

All dimensions are nominal and expressed in millimetres.



**Mesh extensions, stabilisers & bases**