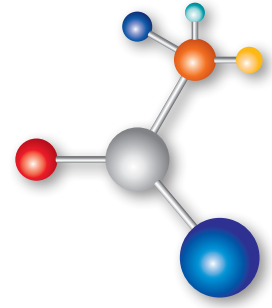


Tall Slab on Ground

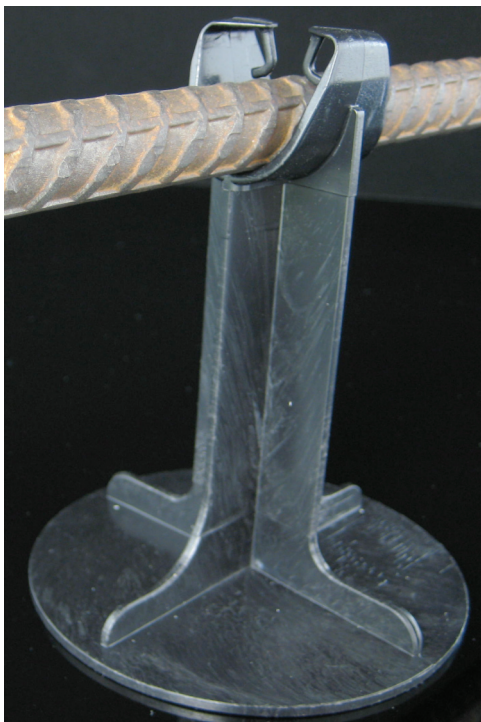


Description

The Slab-on-Ground Barchairs has been designed as an economical, lightweight, easy to use alternative to metal chairs with bases in deep slab situations, with no voids under the bar or mesh and no rust problems.

The easy clip-on system ensures that the chair stays in place whilst the integral base saves time and labour placing separate bases.

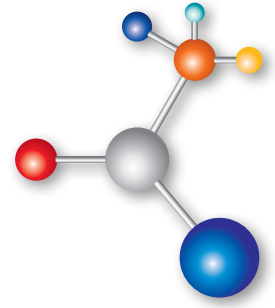
The chairs have been load tested to exceed 500kg, and are available in 95, 100, 110, 120, 130, 140 and 150mm cover for bar or mesh up to 20mm.



Ideal for:

- Commercial and civil applications such as deep slab on ground, concrete roadways, soft sand buildings and Dowel Joints.

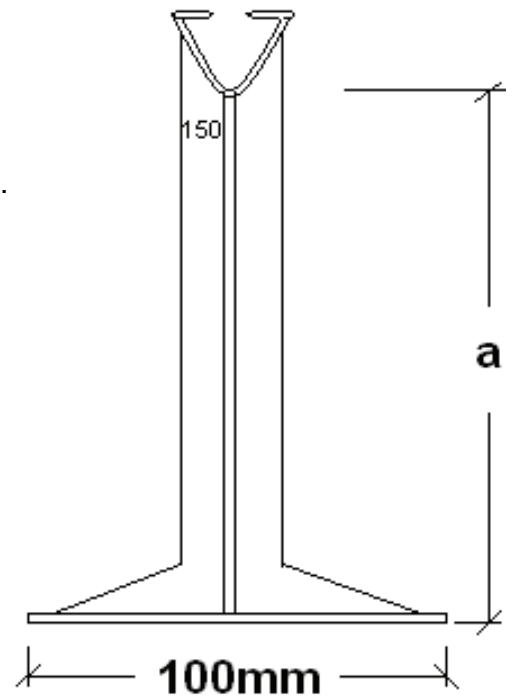
Tall Slab on Ground



DIMENSIONS

PRODUCT CODE	COVER (a)	MASS (kg) PER BAG	PALLET QTY
BSOG 110	110	5.1	3200
BSOG 120	120	5.3	2800
BSOG 130	130	5.9	2800
BSOG 140	140	6.1	2400
BSOG 150	150	6.5	2400

Packed in bags of 100 pieces.
 All dimensions are nominal and expressed in millimetres.
 BSOG 95, BSOG 100, BSOG 115 also available upon request.



LOAD PERFORMANCE

