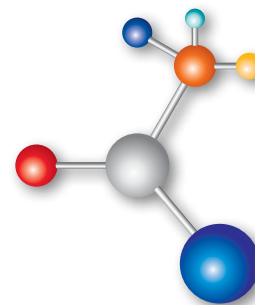


Novawedge



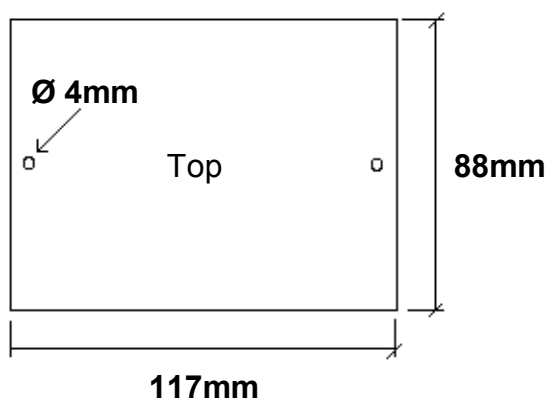
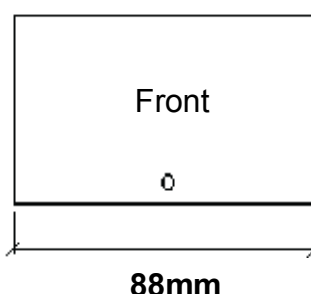
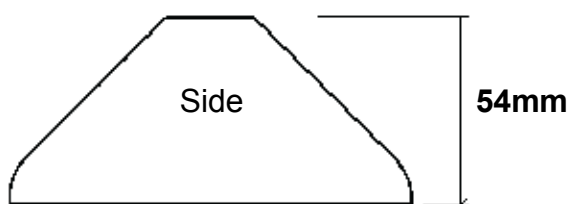
Novawedges are injection moulded for retaining lengths of pipe, tube and drill rods while in transportation or storage in the mining and construction industries.

Novawedges are able to be fastened or adhered to most surfaces.

This product is a replacement for the conventional wooden wedges which are known to split while being fastened.

A fixing hole is provided on each side for nails or screws.

Novawedges are also used as wheel chocks for aircraft when parked or in storage and are supplied with a plastic covered braided wire link of 500mm for ease of handling.



Ideal for:

- Mining
- Airfields
- Transport
- Industry



Wheel Chock Kit

Product Code	Mass kg unit / carton	Qty/Carton
Novawedge	380g / 19kg	50
Wheel Chock Kit	772g / 10kg	12