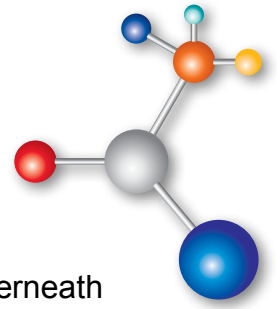


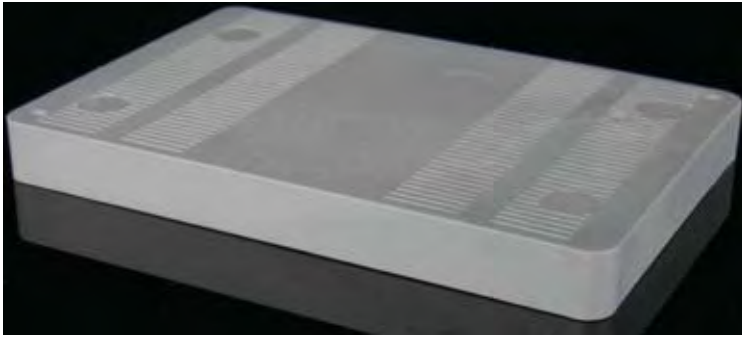
Packing Shims



Description

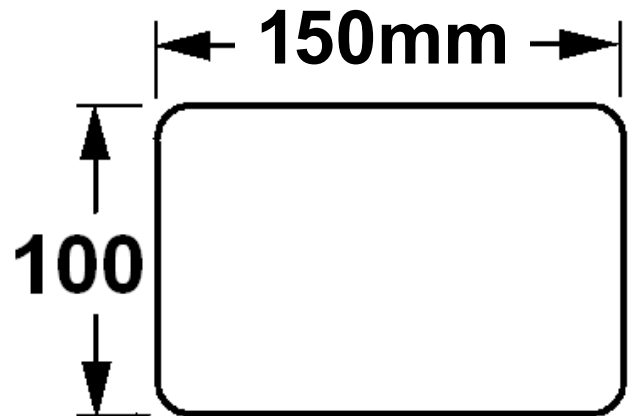
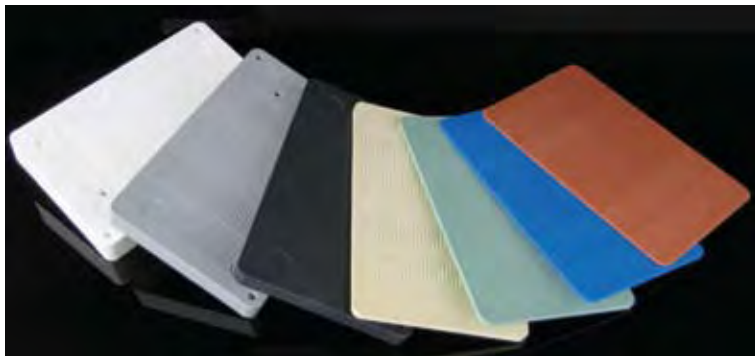
Designed for packing underneath precast or tilt-up concrete panels during their alignment on site, to gain a level with a anti-skid surface.

Colour coded by thickness for ease of selection. The packing shims are manufactured from quality high impact polypropylene and tested with compressive loads up to 20 tonnes.



DIMENSIONS

Product Code	Thickness	Colour	Quantity per Bag	Mass Per Bag Kg
SHIM 01	1	Brown	100	1.6
SHIM 02	2	Blue	200	6.1
SHIM 03	3	Green	100	4.6
SHIM 05	5	Yellow	100	7.6
SHIM 10	10	Black	40	6.0
SHIM 15	15	Grey	40	6.9
SHIM 20	20	White	30	9.4

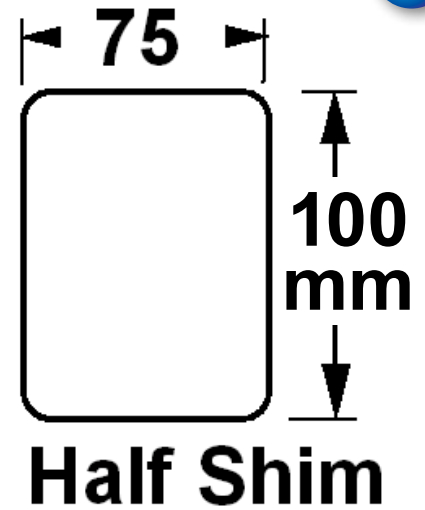
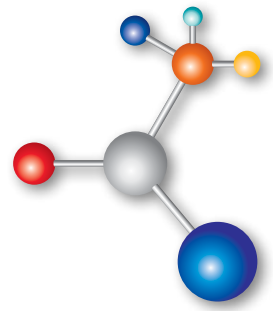


Full Shim



Machinery and tank levelling

Packing Shims Half Shim



DIMENSIONS

Product Code	Thickness	Colour	Quantity per Bag	Mass Per Bag Kg
SHS 01	1	Brown	200	1.6
SHS 02	2	Blue	400	6.1
SHS 03	3	Green	200	4.6
SHS 05	5	Yellow	200	7.6
SHS 10	10	Black	80	6.0
SHS 15	15	Grey	80	6.9
SHS 20	20	White	60	9.4

Ideal for:

- Commercial and civil applications such as packing under panels, machines, door and window frames.

